

AIS - Additive Injection System

The **Banksia**Controls AIS-100 Additive Injection System combines a single Additive Injection Manifold (AIM) with the Additive Injection Controller (AIC-100) to provide a compact designed Additive System with superior performance and accuracy.

Features

AIC-100 (Additive Injection Controller)

The AIC is a sophisticated industrial controller specifically designed to provide accurate additive injection in the most demanding of situations.

The unit has been designed with flexibility in mind and can be programmed to perform in the following ways:

Pace Mode

Injection rate is based on the main flowmeter input and a pre-programmed internal recipe

Permissive Pace Mode

Injection rate is based on the main flowmeter input and a pre-programmed internal recipe, with injection enabled or disabled by separate permissive input

Slave Mode

Inject additive when Additive Start/Inject input is on. Close solenoid when signal is off. No control of additive injection, just additive pulse re-transmit

Control Mode

Start injection based on pre-programmed internal recipe when Additive Start/Inject input is given. Stop injection when injection volume is reached, and provide OC output when complete

Remote Mode

Recipe changed via comms. Injection controlled remotely via comms

Calibrate Mode

As per Control Mode except injection is activated via front panel switch input

Communication is by way of 2 wire RS485 using Modbus RTU protocol. The AIC-100 is equipped with 2x comms ports.



AIM (Additive Injection Manifold)

The AIM is a compact all stainless steel manifold assembly with integral isolating, flow regulating & check valves, fine mesh strainer, solenoid valve, and precision oval gear flowmeter. All assemblies are of modular design and can be quickly and easily changed in-situ.

The AIM is available in three flow range sizes, and can be trimmed in a range of materials to suit the project requirements. Please refer to our separate AIM data sheet for further details.

Technical Specifications:

Flow

Nominal K Factor:
 Injector Size 4 (0.01 to 1.0 lpm):- 2890 pulses per litre
 Injector Size 6 (0.03 to 1.66 lpm):- 2100 pulses per litre
 Injector Size 8 (0.25 to 10.0 lpm):- 710 pulses per litre

Meter Accuracy: +/-0.05% of rate, or +/-0.5% over flow range stated
 System Accuracy: +/-0.5%
 Repeatability: +/-0.03%
 Maximum Pressure: 20 bar

Environment

Temperature: -20C to +40C
 Humidity: 5 to 95%
 Temperature Class: T6, or T5, or T4, or T3
 Protection Class: IP66
 Approvals: IECEX/ATEX

Materials

AIM Back Plate: 316SS, 2mm thick with cutout and captive nuts for mounting block and panel.

Manifold: 303SS

Meter, Valves, Strainer: 316SS

Solenoid Seat: 3mm, Kalrez seat

Exd Enclosure: Cast Aluminium

Optional Stand: Galvanised carbon steel stand with plinth

Electrical

Voltage: 10 to 40VDC, 85 to 265 VAC 50/60Hz

Inputs

2x Permissive Inputs: Voltage free contact or DC input 12VDC

Additive Enable Input, Additive Start/Inject Input

1x Reset Alarms input: Voltage free contact or DC input 12VDC

3x Recipe Select Inputs: Voltage free contact (BCD Input)

Outputs

6x Relay Outputs: SSR (85 to 265VAC @ 1A) or EMR (12-28VDC, 85 to 265VAC @ 1A)

Solenoid Control, Pump Control, Error Alarm and 3x Programmable Alarm outputs

1x OC Outputs: 5 to 28VDC @ 200mA

End of Batch Signal

1x OC Outputs: 5 to 28VDC @ 200mA

Add. Flow copy O/P

3x OC Outputs: 5 to 28VDC @ 200mA

Injection Recipe Complete outputs (BCD)

Display: 2 line x 16 character backlit LCD English.

Other languages on request.

Communications: 2x RS485 2 wire using Modbus RTU protocol

Cable Entries: 6x M20 entries available for use (Exd enclosure).

Mechanical

Manifold Connections (AIM Block): 3/8" NPT F

Dimensions:

Exd Enclosure: 30Wx20Hx23D cm

AIM Plate: 42Wx34H cm

Weight:

Exd Enclosure: 15kg

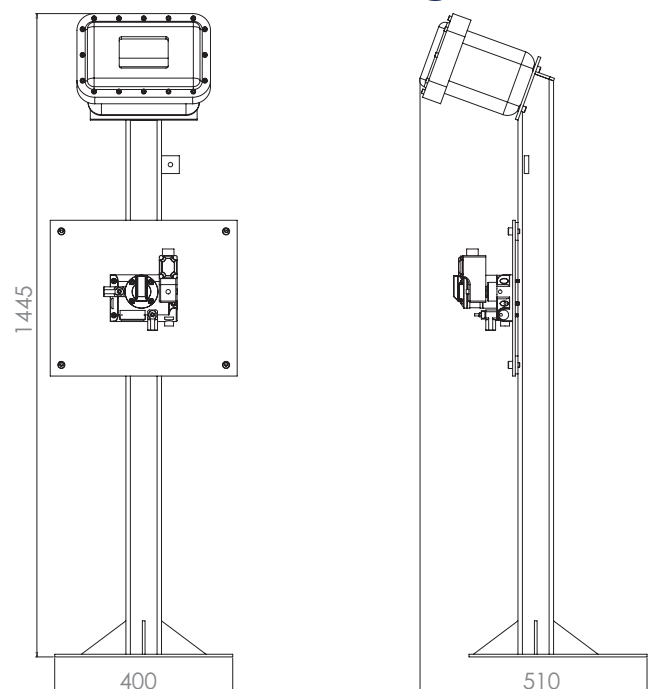
AIM Plate: 12kg

Optional Stand: 20kg

AIS-100 Model Selection:

Model Coding							
AIS-	1	8	5	3	1	3	1 0
Injector Block							
0	AIC-100 Only - No Injectors						
1	1 x AIM						
Injector Size							
0	No Injector						
4	0.01 - 1.0 lpm						
6	0.03 - 1.66 lpm						
8	0.25 - 10 lpm						
Injector Material							
0	No Injector						
5	Stainless Steel						
Trim Material							
0	No Injector						
1	Viton						
2	EPR						
3	Teflon/Kalrez/Simrez						
4	Buna N						
Approval Type							
0	No Approval						
1	IECEX/ATEX						
2	UL/CSA - <i>consult factory</i>						
3	Other - <i>consult factory</i>						
Supply Voltage							
0	12VDC						
1	24VDC						
2	110VAC						
3	220VAC						
Communications Type							
1	RS485 2 wire						
Display Language							
0	English						
2	Other - <i>consult factory</i>						

Dimensional drawing



Part No. BCSXAI05217