

Basket Type Flanged Strainer

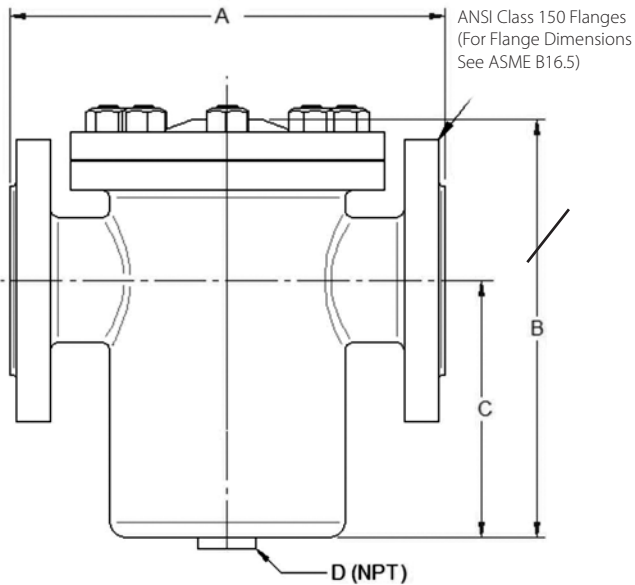
Features

Robust Cast Body in Stainless Steel (CF8M) or Carbon Steel (WCB)
304SS Basket Screen & PTFE Seals
For general chemical and industrial applications

Specification:

End connection: ANSI Flanged
Working pressure: 10 bar (14.5 psig)
Temperature: -20- 180°C (option -40-180°C)

Overall Dimensions:



Materials List

PART DESCRIPTION	MATERIAL
Body	316 Stainless Steel or Carbon Steel
Drain Plug	316 Stainless Steel or Carbon Steel
Screen/Mesh	304SS
Cap	316 Stainless Steel or Carbon Steel
Body Seal	PTFE

Dimensions (mm)

SIZE		A	B	C	D	SCREEN SIZE*
BS025	1"	152	174	77	1/2"	1mm
BS040	1- 1/2"	164	216	120	1/2"	1mm
BS050	2"	210	216	120	1"	1mm
BS065	2 - 1/2"	222	260	160	1"	1mm
BS080	3"	252	306	200	1"	1mm
BS100	4"	293	390	254	1"	3mm
BS125	5"	336	430	280	1"	3mm
BS150	6"	380	410	270	1"	3mm
BS200	8"	478	560	340	1"	3mm
BS250	10"	508	685	360	2"	3mm
BS300	12"	666	760	420	2"	3mm

* Mesh sizes are available on request.

Model Coding

Size

BS025	25mm (1" process connection)
BS040	40mm (1.5" process connection)
BS050	50mm (2" process connection)
BS065	65mm (2.5" process connection)
BS080	80mm (3" process connection)
BS100	100mm (4" process connection)
BS125	125mm (5" process connection)
BS150	150mm (6" process connection)
BS200	200mm (8" process connection)
BS250	250mm (10" process connection)
BS300	300mm (12" process connection)

Materials

S	316 Stainless Steel body & screen element, teflon steel
C	WCB Carbon Steel

Mesh sizing

1	20 Mesh (850 microns)
2	40 Mesh (400 microns)
3	80 Mesh (180 microns)
4	100 Mesh (150 microns)

Process connections

3	ANSI 150 RF flanges
4	Customer nominated connections

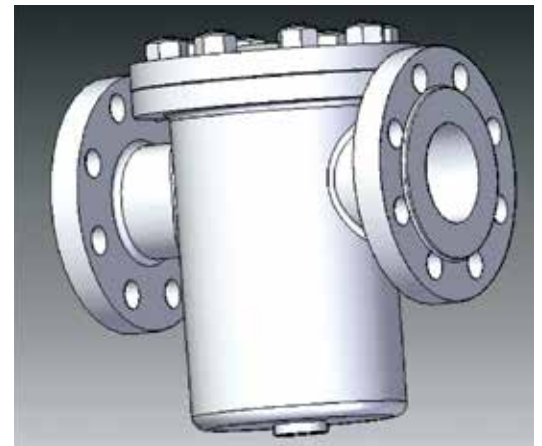
Function options

1	Strainer only - no air eliminator mechanism
2	Strainer with integral air eliminator
3	Strainer with integral air eliminator & check valve*

Model No. Example

BS080S112

* Integral check valve only available when close coupled to flowmeter



Part No. BCFBSX0817